

WNUC Type AC Contactor



1
AC Contactor

Applicable scope

The WNUC AC Contactors are suitable for controlling various types of motors in the circuit of AC 50/60Hz, voltage up to 1000 V, current up to 800 A.

Controlling resistance, inductance, and capacitive circuits: heating, lighting, power compensation, transformer.

Controlling distribution circuit, industrial distribution, green distribution. or frequent operations and harsh environment, quick operating coils are recommended to use.

Conform to IEC/EN 60947-4-1

Operation and installation conditions

Type	Operation and installation conditions
Installation class	III
Compliant standards	IEC/EN 60947-4-1
Degree of protection	IP20
Ambient temperature	Operation temperature limits: -40°C~+70°C Normal operation temperature range: -5°C~+40°C. Storage temperature range: -60°C~+80°C.
Humidity	Maximum relative humidity less than 50% below 40°C, Maximum relative humidity less than 90% below 20°C
Altitude	Not exceeding 2000 m above sea level.

WNUC Type AC Contactor

1

AC Contactor

Performance		Technical performance	
Rated insulation voltage U_i (V)		1000V	
Rated impulse withstand voltage U_{imp} (kV)		8kV	
Rated operational voltage U_e max (V)		1000V	
Rated making capacity		Making current: 10x I_e (AC-3) or 12x I_e (AC-4)	
Rated breaking capacity		Breaking current: 8x I_e (AC-3) or 10x I_e (AC-4)	
Rated control voltage(U_c)		24-660V (please specify control voltage when placing orders, default voltage is 220V)	
Mechanical life (cycles)		1x10 ⁶	
Main contact	115-265	3 Pole or 4 Pole	
	330-780	3 Pole or 4 Pole	
	800	3 Pole	
Control voltage limits(AC) (0≤55°C)	Pull-in	0.85-1.1 U_c	
	Release(AC)	0.2-0.75 U_c	
	Release(DC)	0.1-0.75 U_c	
Average power 50Hz (VA)	Start	115~150	550
		185-225	810
		265	1200
		330	600
		400	1000
		500	1050
		630	1500
		780	1900
	Hold	800	1600
		115~150	45
		185~225	55
		265	85
		330	10
		400	12
		500	16
630	20		
780	45		
800	22		

WNUC Type AC Contactor 3 Pole

Contactor model		Conventional thermal current I_{th} (A) ($0 \leq 40^\circ\text{C}$)	Rated operation current I_e (A)		Rated control power AC-3(kW)	
			Max AC-1 ($0 \leq 40^\circ\text{C}$)	Max AC-3 ($0 \leq 55^\circ\text{C}$)		
WNUC-115-3P	W605962	220V/240V	200	200	115	30
		380V/400V	200	200	115	55
		415V/440V	200	200	115	59
		500V	200	200	-	75
		660V/690V	200	200	-	80
		1000V	200	200	-	65
WNUC-150-3P	W605963	220V/240V	250	250	150	40
		380V/400V	250	250	150	75
		415V/440V	250	250	150	80
		500V	250	250	-	90
		660V/690V	250	250	-	100
		1000V	250	250	-	65
WNUC-185-3P	W605964	220V/240V	275	275	185	55
		380V/400V	275	275	185	90
		415V/440V	275	275	185	100
		500V	275	275	-	110
		660V/690V	275	275	-	120
		1000V	275	275	-	100
WNUC-225-3P	W605965	220V/240V	315	315	225	63
		380V/400V	315	315	225	100
		415V/440V	315	315	225	110
		500V	315	315	-	129
		660V/690V	315	315	-	129
		1000V	315	315	-	140
WNUC-265-3P	W605966	220V/240V	350	350	265	75
		380V/400V	350	350	265	132
		415V/440V	350	350	265	140
		500V	350	350	-	160
		660V/690V	350	350	-	180
		1000V	350	350	-	147
WNUC-330-3P	W605967	220V/240V	400	400	330	100
		380V/400V	400	400	330	160
		415V/440V	400	400	330	180
		500V	400	400	-	200
		660V/690V	400	400	-	220
		1000V	400	400	-	160

1
AC Contactor

WNUC Type AC Contactor 3 Pole

1 AC Contactor

Contactor model			Conventional thermal current I _{th} (A) (0≤40°C)	Rated operation current I _e (A)		Rated control power AC-3(kW)
				Max AC-1 (0≤40°C)	Max AC-3 (0≤55°C)	
WNUC-400-3P	W605968	220V/240V	500	500	400	129
		380V/400V	500	500	400	200
		415V/440V	500	500	400	220
		500V	500	500	-	257
		660V/690V	500	500	-	280
		1000V	500	500	-	185
WNUC-500-3P	W605969	220V/240V	700	700	500	147
		380V/400V	700	700	500	250
		415V/440V	700	700	500	280
		500V	700	700	-	335
		660V/690V	700	700	-	355
		1000V	700	700	-	335
WNUC-630-3P	W605970	220V/240V	900	900	630	200
		380V/400V	900	900	630	335
		415V/440V	900	900	630	275
		500V	900	900	-	400
		660V/690V	900	900	-	450
		1000V	900	900	-	450
WNUC-780-3P	W605971	220V/240V	1000	1000	780	220
		380V/400V	1000	1000	780	400
		415V/440V	1000	1000	780	425
		500V	1000	1000	-	450
		660V/690V	1000	1000	-	475
		1000V	1000	1000	-	450
WNUC-780-2-3P	W605972	220V/240V	1000	1000	800	220
		380V/400V	1000	1000	800	400
		415V/440V	1000	1000	800	425
		500V	1000	1000	-	450
		660V/690V	1000	1000	-	475
		1000V	1000	1000	-	450

WNUC Type AC Contactor

Contactor wiring

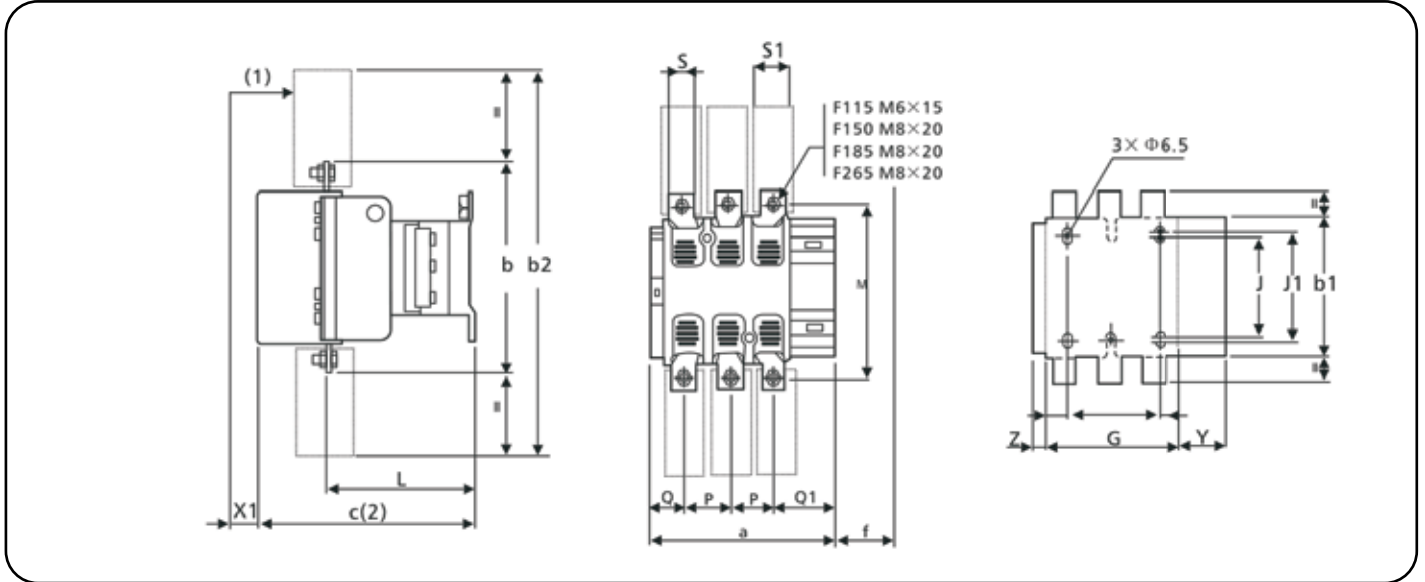
Contactor wiring		115	150/ 185	225	265	330	400	500	630	780	800
Cabling (0≤55°C)	The maximum cross section area number of cable (mm ²)	2	2	2	2	2	2	2	2	2	2
	Dimension of cables	20x3	25x3	32x3	32x4	30x5	30x5	40x5	60x5	100x5	60x5
	Cable with tabs (mm ²)	95	120/150	185	240	240	2x150	2x240	-	-	-
	Cable with connectors (mm ²)	95	120/150	185	240	-	-	-	-	-	-
	Bolt diameter(mm)	Ø6	Ø8	Ø10	Ø10	Ø10	Ø10	Ø10	Ø10	Ø12	Ø12
Cable Circuit Connection	Tightening torque (N.m)	10	18	35	35	35	35	35	58	58	58

WNUC Type AC Contactor 3 Pole

Dimensions

1

AC Contactor



Current		115	150	185	225	265	330	400	500	630	780	800
Item	A	163.5	163.5	168.5	168.5	201.5	213	213	233	309	704	309
	B	162	170	174	197	203	206	206	238	304	435	304
	C	171	171	181	181	213	219	219	232	255	255	255
	F	131	131	130	130	147	147	151	169	201	201	201
	G	106	106	111	111	140	154.5	170	170	180	180	240
	J	120-106	120-106	120-106	120-106	120-106	120-106	180	180	180	180	180
	L	107	107	113.5	113.5	141	145	145	146	155	165	155
	M	147	150	154	172	178	181	181	208	264	400	264
	P	37	40	40	48	48	48	48	55	80	160	80
	Q	29.5	26	29	21	39	43	69	76	60	192	60
	S	20	20	20	25	25	25	25	30	40	60	40

WNUC Coil AC Control

AC Coil

Order code		Rated frequency and voltage (HZ)	(V)	pick-up (VA'')	dro -out (VA'')	Fuse (A)
For contactors WNUC-115F-150F						
WNUC1FF024	W607673	50Hz	24VAC	550	51	12A
WNUC1FF048	W607674	50Hz	48VAC	550	51	6A
WNUC1FF110	W607675	50Hz	115VAC	550	51	4A
WNUC1FF220	W607676	50Hz	230VAC	550	51	2A
WNUC1FF380	W607677	50Hz	400VAC	550	51	1A
For contactors WNUC-185F-225F						
WNUC1FG024	W607678	50Hz	24VAC	805	61	16A
WNUC1FG048	W607679	50Hz	48VAC	805	61	8A
WNUC1FG110	W607680	50Hz	115VAC	805	61	4A
WNUC1FG220	W607681	50Hz	230VAC	805	61	2A
WNUC1FG380	W607682	50Hz	400VAC	805	61	1A
For contactors WNUC-265F-330F Twin coil						
WNUC1FH0482	W607683	50Hz	48VAC	600- 700	8- 10	10A
WNUC1FH1102	W607684	50Hz	115VAC	600- 700	8- 10	6A
WNUC1FH2202	W607685	50Hz	230VAC	600- 700	8- 10	4A
WNUC1FH3802	W607686	50Hz	400VAC	600- 700	8- 10	2A
For contactors WNUC-115F-150F Twin coil						
WNUC9FF024	W607687	50Hz	24VAC	690-855	6.6-8.1	12A
WNUC9FF048	W607688	50Hz	48VAC	690-855	6.6-8.1	8A
WNUC9FF110	W607689	50Hz	115VAC	690-855	6.6-8.1	4A
WNUC9FF220	W607690	50Hz	230VAC	690-855	6.6-8.1	2A
WNUC9FF380	W607691	50Hz	400VAC	690-855	6.6-8.1	2A
For contactors WNUC-400F Twin coil						
WNUC1FJ048	W607692	50/60Hz	48VAC	1000- 1150	12- 18	10A
WNUC1FJ110	W607693	50/60Hz	120VAC	1000- 1150	12- 18	6A
WNUC1FJ220	W607694	50/60Hz	230VAC	1000- 1150	12- 18	4A
WNUC1FJ380	W607695	50/60Hz	400VAC	1000- 1150	12- 18	2A
For contactors WNUC-500F Twin coil						
WNUC1FK048	W607696	50/60Hz	48VAC	1050- 1150	16- 20	10A
WNUC1FK110	W607697	50/60Hz	120VAC	1050- 1150	16- 20	6A
WNUC1FK220	W607698	50/60Hz	230VAC	1050- 1150	16- 20	4A
WNUC1FK380	W607699	50/60Hz	400VAC	1050- 1150	16- 20	2A
For contactors WNUC-630F-800F Twin coil						
WNUC1FL048	W607700	50/60Hz	48VAC	1500- 1730	20- 25	16A
WNUC1FL110	W607701	50/60Hz	120VAC	1500- 1730	20- 25	8A
WNUC1FL220	W607702	50/60Hz	240VAC	1500- 1730	20- 25	6A
WNUC1FL380	W607703	50/60Hz	400VAC	1500- 1730	20- 25	4A

WNUC Coil AC Control

AC Coil

Order code		Rated frequency and voltage (HZ) (V)		pick-up (VA")	drop-out (VA")	Fuse (A)
For contactors WNUC-185F-225F Twin coil						
WNUC9FG024	W607704	50/60Hz	24VAC	950-1180	8.9-10.9	16A
WNUC9FG048	W607705	50/60Hz	48VAC	950-1180	8.9-10.9	10A
WNUC9FG110	W607706	50/60Hz	115VAC	950-1180	8.9-10.9	6A
WNUC9FG220	W607707	50/60Hz	230VAC	950-1180	8.9-10.9	4A
WNUC9FG380	W607708	50/60Hz	400VAC	950-1180	8.9-10.9	2A

DC Coil

Order code		Voltage (V)	pick-up (VA")	drop-out (VA")	Fuse (A)
For contactors WNUC-115F-150F					
WNUC4FF024	W607709	24VDC	543-665	3.94-4.83	12A
WNUC4FF048	W607710	48VDC	543-665	3.94-4.83	6A
WNUC4FF110	W607711	110VDC	543-665	3.94-4.83	4A
WNUC4FF220	W607712	230VDC	543-665	3.94-4.83	2A
WNUC4FF440	W607713	460VDC	543-665	3.94-4.83	1A
For contactors WNUC-185F-225F					
WNUC4FG024	W607714	24VDC	737-902	4.13-5.07	16A
WNUC4FG048	W607715	48VDC	737-902	4.13-5.07	8A
WNUC4FG110	W607716	110VDC	737-902	4.13-5.07	4A
WNUC4FG220	W607717	230VDC	737-902	4.13-5.07	2A
WNUC4FG440	W607718	460VDC	737-902	4.13-5.07	1A
For contactors WNUC-265F-330F					
WNUC4FH024	W607719	24VDC	655-803	3.68-4.53	16A
WNUC4FH048	W607720	48VDC	655-803	3.68-4.53	8A
WNUC4FH110	W607721	110VDC	655-803	3.68-4.53	4A
WNUC4FH220	W607722	230VDC	655-803	3.68-4.53	2A
WNUC4FH440	W607723	460VDC	655-803	3.68-4.53	1A
For contactors WNUC-400F					
WNUC4FJ048	W607724	48VDC	920-1140	4-7.5	10A
WNUC4FJ110	W607725	110VDC	920-1140	4-7.5	6A
WNUC4FJ220	W607726	230VDC	920-1140	4-7.5	4A
WNUC4FJ440	W607727	440VDC	920-1140	4-7.5	2A
For contactors WNUC-500F					
WNUC4FK048	W607728	48VDC	990-1220	4.5-8	10A
WNUC4FK110	W607729	110VDC	990-1220	4.5-8	6A
WNUC4FK220	W607730	230VDC	990-1220	4.5-8	4A
WNUC4FK440	W607731	440VDC	990-1220	4.5-8	2A
For contactors WNUC-630F-800F					
WNUC4FL048	W607732	48VDC	1420-1920	6.5-12.5	16A
WNUC4FL110	W607733	110VDC	1420-1920	6.5-12.5	8A
WNUC4FL220	W607734	230VDC	1420-1920	6.5-12.5	4A
WNUC4LK440	W607735	440VDC	1420-1920	6.5-12.5	2A