

# Modular Single Lamp

**WAUP Series**

IEC/EN 60947-5-1



## Marking



## Function and Feature

The Modular Signal Lamp is applicable to circuit with rated voltage 230V~and Frequency 50/60Hz for visual indication and warning.

## Technical Data

Rate Voltage(Un):24/48/110/230VAC

Rated frequency:50/60Hz

Number of Poles:1P

Light source: LED diode

$I_e \leq 1.6\text{mA}$

Rated insulation voltage(Ui):500V

Light Source capacity:0.8W

Colors: red/green/blue/yellow/transparent

Terminals: pillar type

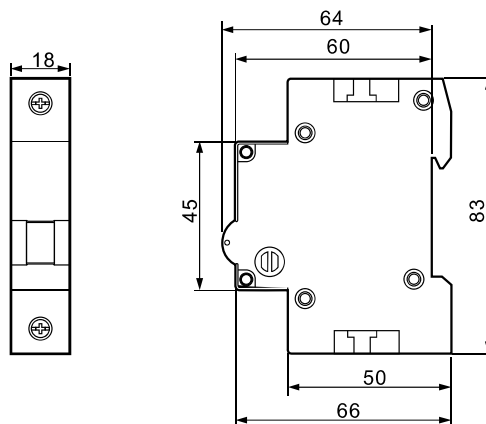
Cable termination:25mm<sup>2</sup>

Torque of screw:2.5Nm

IP degree:IP20

Standards:IEC/EN 60947-5-1

## Dimensions(mm)



# Modular Single Lamp



## Red DIN-Rail Indicating Lamp Size: 46.5X24 17.5cm

Rating	Cat No.	Ref. No.	Description
24	WAUPR24	W601109	RED 24VAC
48	WAUPR48	W601110	RED 48VAC
110	WAUPR110	W601111	RED 110VAC
230	WAUPR230	W601112	RED 230VAC



## Green DIN-Rail Indicating Lamp Size: 46.5X24 17.5cm

Rating	Cat No.	Ref. No.	Description
24	WAUPG24	W601113	GREEN 24VAC
48	WAUPG48	W601114	GREEN 48VAC
110	WAUPG110	W601115	GREEN 110VAC
230	WAUPG230	W601116	GREEN 230VAC



## Yellow DIN-Rail Indicating Lamp Size: 46.5X24 17.5cm

Rating	Cat No.	Ref. No.	Description
24	WAUPY24	W601117	YELLOW 24VAC
48	WAUPY48	W601118	YELLOW 48VAC
110	WAUPY110	W601119	YELLOW 110VAC
230	WAUPY230	W601120	YELLOW 230VAC



## Transparent DIN-Rail Indicating Lamp Size: 46.5X24 17.5cm

Rating	Cat No.	Ref. No.	Description
24	WAUPW24	W601121	TRANSPARENT 24VAC
48	WAUPW48	W601122	TRANSPARENT 48VAC
110	WAUPW110	W601123	TRANSPARENT 110VAC
230	WAUPW230	W601124	TRANSPARENT 230VAC



## Blue DIN-Rail Indicating Lamp Size: 46.5X24 17.5cm

Rating	Cat No.	Ref. No.	Description
24	WAUPB24	W601125	BLUE 24VAC
48	WAUPB48	W601126	BLUE 48VAC
110	WAUPB110	W601127	BLUE 110VAC
230	WAUPB230	W601128	BLUE 230VAC