

# MULTIFUNCTION METER

## WTMRJ4M



DIN : 90 x 70mm

### Features:

- Monitors Electrical Parameters for 4 loads(3ϕ) ,12 loads(1ϕ)
- RS485 Communication MODBUS RTU Protocol
- Self Powered
- Power(Active, Reactive, Apparent)
- Energy(Active, Reactive, Apparent)

Certifications: 

### Display Specifications

Display	LCD with backlight
Digits	1 Rows of 4 digits, Row 2,3 of 7digits
LED Indications	Integration of energy

### Input Specifications

Electrical Connection	3Ø 4W , 1Ø 2W
Input Voltage Range	60V to 300V AC(Phase to Neutral) 104 to 520V AC(Phase to Phase)
Frequency	45 to 65 Hz
Display Scrolling	Automatic / Manual
Power Consumption	8VA Max
Display Reset	Programmable (For energy)
Resolution	For Energy: 0.01k,0.1k,1k,0.01M,0.1M,1M (depending upon CT ratio x PT ratio), For Power, Voltage: Auto resolution, For Power Factor:0.01
Accuracy	Voltage(L-L/L-N), Current : ±0.05% of F.S Power factor : ± 0.01 Frequency : ±0.1% Power (Active, Reactive, Apparent) : 1% Energy (Active, Reactive, Apparent) : Class1
Memory Retention	10 Years ( For energy)
Measuring parameters	Voltage (L-L / L-N) (Individual / Average) of 4 channels, Current (Individual / Average) of 4 channels, Power (Active, Reactive & Apparent) (Individual ) of 4 channels, Power factor & Frequency of 4 channels

### Output Specifications

Communication, Interface and Protocol	RS485 and MODBUS RTU
Communication Address	1 to 255
Transmission Mode	Half duplex
Transmission Distance	500 Meter Maximum
Transmission Speed	300, 600, 1200, 2400, 4800, 9600, 19200 (in bps)
Parity	None, Odd, Even
Stop bits	1 or 2
Response Time	100 ms (max and independent of baud rate)

### Auxiliary Supply Specifications

Supply Voltage	60 to 300V AC,50-60Hz Self-Supplied (V1,N)
----------------	--

### Settable Parameters

CT Primary	5A to 10kA (Programmable for any value)
CT Secondary	330mV
PT Primary	100 to 10kV (Programmable for any value)
PT Secondary	100V to 500V AC (L-L) (Programmable for any value)

### Environmental Specifications

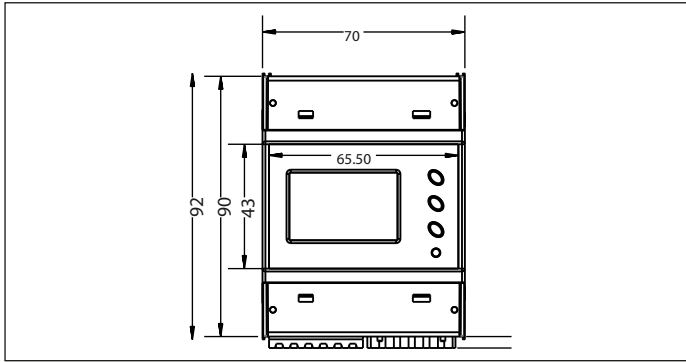
Temperature	Operating Temperature: -10°C to +55°C Storage Temperature : -20°C to +75°C
Humidity	Upto 85% RH

# MULTIFUNCTION METER WTMRJ4M

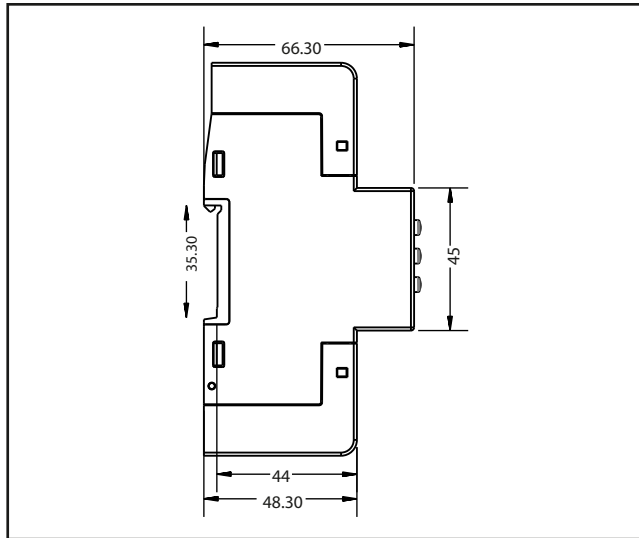
## Mechanical Specifications

Mounting	Din Rail Mount
Weight	200gms

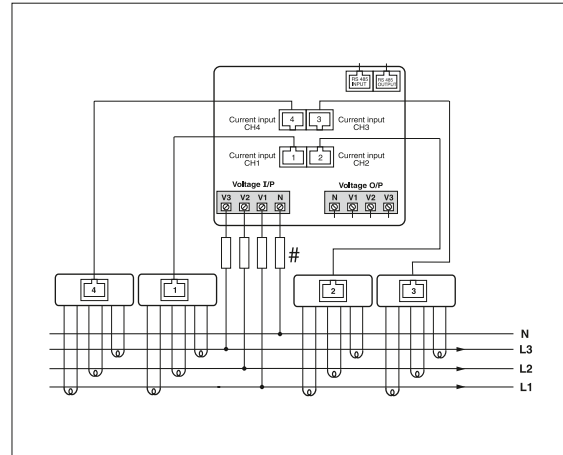
## Dimensions



## Side View



## Terminal Connections



## Ordering Information

Product Code.	Supply Voltage	Output	Ref.No.	Certification
WTMRJ4M	Self Supplied (V1,N) 60 to 300V AC	Pulse Output	Comm (RS485)	W605451 CC