



# MOLDED CASE CIRCUIT BREAKER





# Leading The Future of Electrification

- A Global Heritage Brand with 130 Years of Product Innovation
- Perfect Products, Creative Services, and Competitive Price

## Since 1886, Westinghouse Has Brought The Best To Life.

Westinghouse remains a trusted name globally in consumer and industrial products. Built on a heritage of innovation and entrepreneurial spirit, Westinghouse products were the first to supply the United States with AC electric power, transmit a commercial radio broadcast and capture man's first step on the moon. Today, Westinghouse continues to grow its diverse portfolio with a wide range of product categories that include home appliances, consumer electronics, lighting and power generation.

# Moulded Case Circuit Breaker

Full Range of MCCB from 16-1600A According to IEC 60947-2

2

Moulded Case Circuit Breakers



			G			F			J		
Maximum Rated Current (A)			16-125A			16-160A			160-250A		
Breaker Type			GD	GI	GS	FI160	FS160	FH160	JS250	JH250	
Breaker Capacity (kA rms) AC 50-60 Hz											
IEC 947-2	220-240	$I_{cu}$	40	65	65	65	65	65	65	65	
	VAC	$I_{cs}$	40	65	65	65	65	65	65	65	
	380-415	$I_{cu}$	18	25	36	25	36	50	36	50	
	VAC	$I_{cs}$	18	25	25	25	36	50	36	50	
	250	$I_{cu}$	10	10	25	10	10	10	10	10	
	VDC	$I_{cs}$	10	10	25	5	5	5	5	5	
Number of poles			1,2,3,4			1,2,3,4			2,3,4		
Ampere Range			16-125A			16-160A			160-250A		
Trip Units			Fixed Thermal - Magnetic  Adjustable Thermal <sup>①</sup>			<ul style="list-style-type: none"> <li>Fixed Thermal - Magnetic</li> <li>Adjustable Thermal<sup>①</sup> - Fixed Magnetic</li> <li>Adjustable Thermal - Magnetic<sup>②</sup></li> </ul>			Fixed Thermal - Adjustable Magnetic Adjustable Thermal - Magnetic <sup>②</sup> Electronic trip unit <sup>③</sup>		
Ratings	Fixed		125A			160A			250A		
	Adjustable (20%)		16-125A			16-160A			16-250A		
Calibration Temp.			50°C			50°C			50°C		
Terminations			Line			Cable			Lug & End Cap		
			Load			Cable			Cable		
Cable Size			3-95mm <sup>2</sup>			Cable			25-185mm <sup>2</sup>		
Accessories : Shunt Trip			✓			✓			✓		
Under voltage			✓			✓			✓		
Aux. Contacts			✓			✓			✓		
Trip Alarm Contacts			✓			✓			✓		
Dimensions			H	W	D	H	W	D	H	W	D
(mm)	1- Pole		130	25	76.8	155	35	76.7	x	x	x
	2- Pole			50			70		x	x	x
	3- Pole			75			90		165	105	77
	4- Pole			100			120			140	

① Adjustable Magnetic = (5-10)In

② Adjustable Thermal = (0.7-1.0)

# Moulded Case Circuit Breaker

Full Range of MCCB from 16-1600A According to IEC 60947-2



2

Moulded Case Circuit Breakers

		K				L			N				
Maximum Rated Current (A)		315-400		500-630		500-800			1000-1600				
Breaker Type		KS400	KH400	KS630	KH630	LH800			NH1600				
Breaker Capacity (kA rms) AC 50-60 Hz													
IEC 947-2	220-240	$I_{cu}$	65	65	65	65	85			85			
	VAC	$I_{cs}$	65	65	65	65	85			85			
	380-415	$I_{cu}$	36	50	36	50	70			70			
	VAC	$I_{cs}$	36	50	36	50	50			50			
	250	$I_{cu}$	10	20	10	20	20			20			
	VDC	$I_{cs}$	5	10	5	10	10			10			
Number of poles		3,4		3,4		3,4			3,4				
Ampere Range		315-400A		500-630A		500-800A			1000-1600A				
Trip Units		Adjustable Thermal - Magnetic <sup>①</sup> Electronic trip unit <sup>③</sup>				Adjustable Thermal - Magnetic <sup>②</sup> Electronic trip unit <sup>③</sup>			Electronic trip unit <sup>③</sup>				
Ratings	Fixed		400A		630A		800A			1600A			
	Adjustable (20%)		315-400A		500-630A		500-800A			1000-1600A			
Calibration Temp.		50°C		50°C		50°C			50°C				
Terminations		Line		Lug & End Cap		Lug & End Cap		Busbar ext.			Busbar ext.		
		Load		Cable		Cable		Busbar ext.			Busbar ext.		
		Cable Size		35-300mm <sup>2</sup>		35-300mm <sup>2</sup>		95-500mm <sup>2</sup> (lugs)			95-500mm <sup>2</sup> (lugs)		
Accessories : Shunt Trip		✓		✓		✓			✓				
	Under voltage		✓		✓		✓			✓			
	Aux. Contacts		✓		✓		✓			✓			
	Trip Alarm Contacts		✓		✓		✓			✓			
Dimensions (mm)		H	W	D	H	W	D	H	W	D	H	W	D
1- Pole		x	x	x	x	x	x	x	x	x	x	x	x
2- Pole		x	x	x	x	x	x	x	x	x	x	x	x
3- Pole		257	140	111.7	257	140	111.7	275	210	112.2	406	210	140
4- Pole			185			185			280			280	

① Electronic Trip Unit - Thermal Adjustable = (0.4-1)In  
- Magnate Adjustable = (2-10)In

# Frame Size J (100-250) Amperes



## Product description:

Complying to IEC 60947-2,  
Maximum continuous Ampere rating at 55°C  
Voltage 240/415V, Frequency 50/60Hz,

Ue Maximum 415V  
I<sub>cu</sub> 25/36/50kA  
I<sub>cs</sub> 25/36/50kA

Dimensions:	H	W	D	Weight Kgs.
3 Pole	165	105	77	1.5
4 Pole		140		2.0

## Marking



### JI-Frame MCCB 25 kA (Fixed Thermal & Magnetic)

3P	Ref. No.	4P	Ref. No.
JI3100F	W602568	JI4100F	W602573
JI3125F	W602569	JI4125F	W602574
JI3160F	W602570	JI4160F	W602575
JI3200F	W602571	JI4200F	W602576
JI3250F	W602572	JI4250F	W602577

### JH-Frame MCCB 50 kA (Adjustable Thermal & Magnetic)

3P	Ref. No.	4P	Ref. No.
JH3100TM	W602598	JH4100TM	W602603
JH3125TM	W602599	JH4125TM	W602604
JH3160TM	W602600	JH4160TM	W602605
JH3200TM	W602601	JH4200TM	W602606
JH3250TM	W602602	JH4250TM	W602607

### JI-Frame MCCB 25 kA (Adjustable Thermal & Magnetic)

3P	Ref. No.	4P	Ref. No.
JI3100TM	W602578	JI4100TM	W602583
JI3125TM	W602579	JI4125TM	W602584
JI3160TM	W602580	JI4160TM	W602585
JI3200TM	W602581	JI4200TM	W602586
JI3250TM	W602582	JI4250TM	W602587

### JIY-Frame MCCB (Non-Automatic)

3P	Ref. No.	4P	Ref. No.
JIY3100F	W602758	JIY4100F	W602763
JIY3125F	W602759	JIY4125F	W602764
JIY3160F	W602760	JIY4160F	W602765
JIY3200F	W602761	JIY4200F	W602766
JIY3250F	W602762	JIY4250F	W602767

### JS-Frame MCCB 36 kA (Adjustable Thermal & Magnetic)

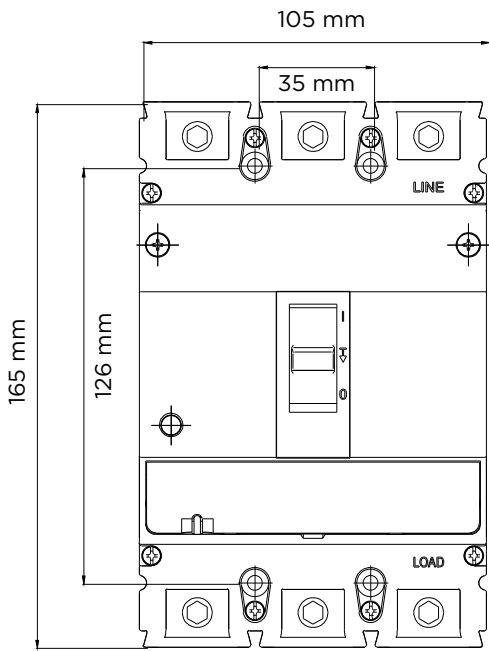
3P	Ref. No.	4P	Ref. No.
JS3100TM	W602588	JS4100TM	W602593
JS3125TM	W602589	JS4125TM	W602594
JS3160TM	W602590	JS4160TM	W602595
JS3200TM	W602591	JS4200TM	W602596
JS3250TM	W602592	JS4250TM	W602597

# Frame Size J (100-250) Amperes

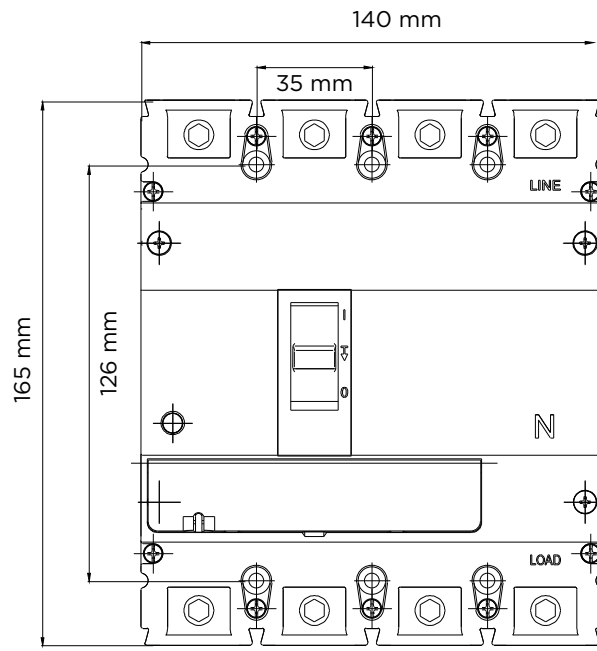
Drawing

2

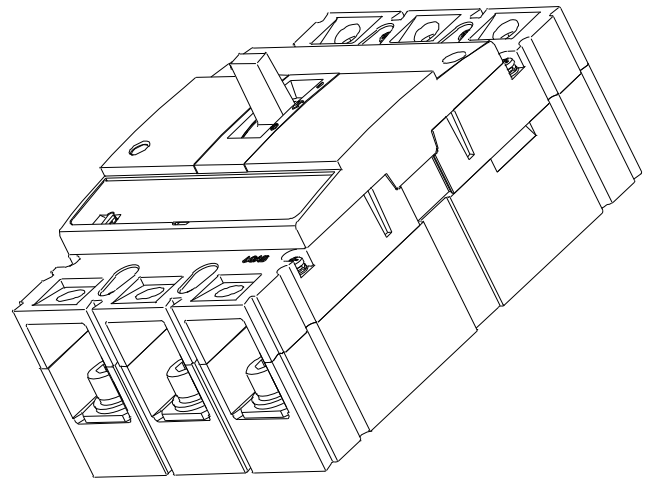
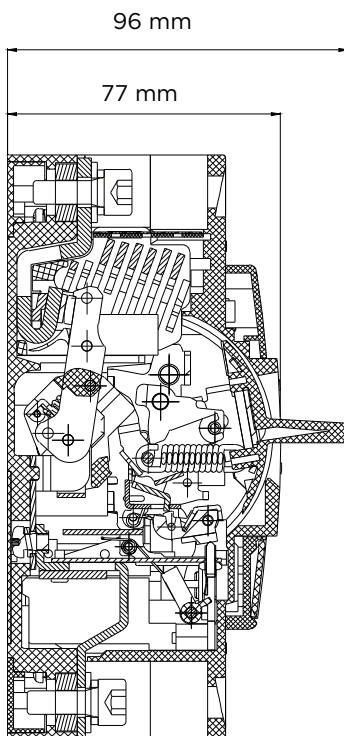
Moulded Case Circuit Breakers



3 PoLE

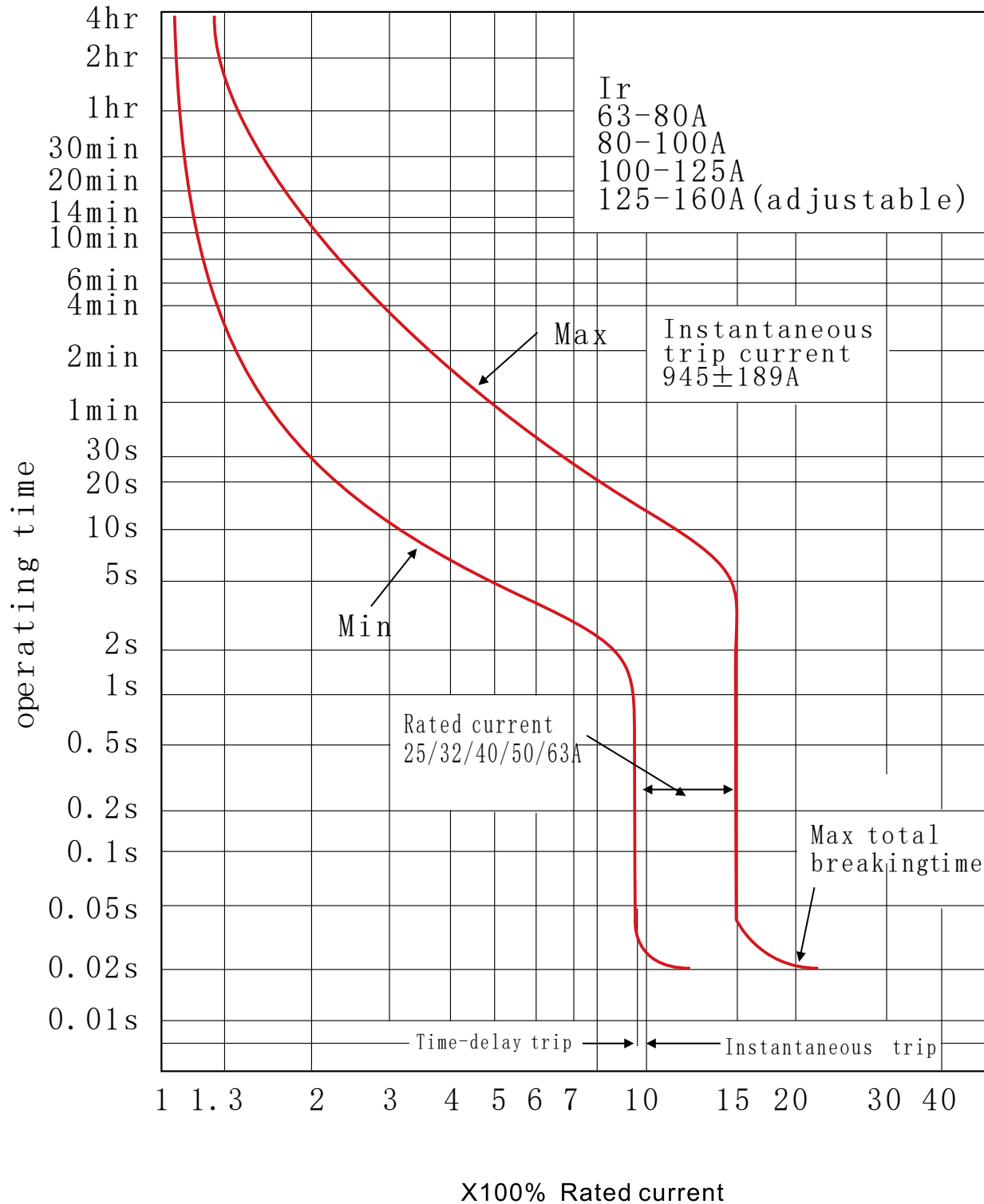


4 PoLE



# Time Current Curve

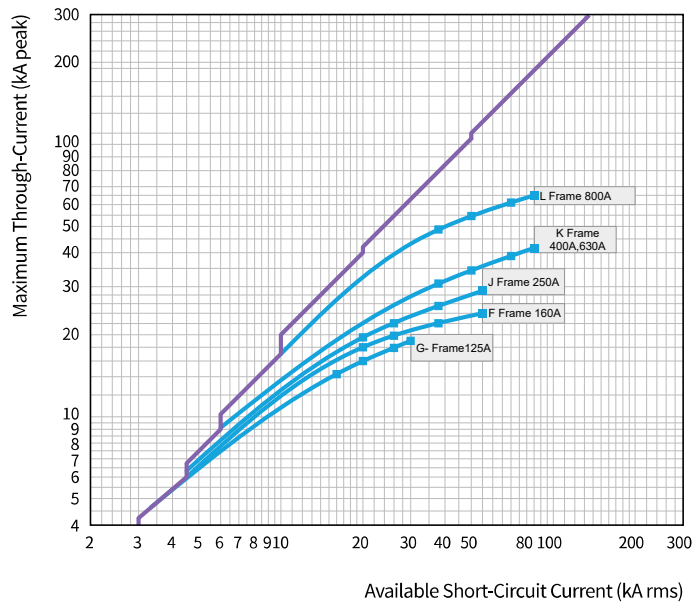
FI, FS, FH MOLDED CASE CIRCUIT BREAKERS 80-160A (50°C)



## Current & Energy-Limiting Characteristic Curve

### Current - Limiting Characteristic Curve

400/415V



### Energy - Limiting Characteristic Curve

400/415V

