

## WRDGLR Series

### WRDGLR Series Fuse Group Of Isolation Switch



WRDGLR series fuse group of isolation switch (called as switch for short) is a kind of multi-poles manual operation switch, adopting the glass fiber reinforced unsaturated polyester resin casing, having high dielectric performance, protective capability and safe operation.

The operation mechanism is a spring-accumulating and accelerating instant-release device, which makes instant making and breaking of the double gap contact. It is no relationship with the speed of operation handle.

It is strong humidity and resistant properties.

#### Model

WRD GLR □ A □ • □ C J □ B □  
 ↓ ↓ ↓ ↓ ↓ ↓ ↓ ↓ ↓ ↓ ↓  
 ① ② ③ ④ ⑤ ⑥ ⑦ ⑧ ⑨ ⑩

①	Company Code
②	Load isolation switch code
③	Rated current
④	Number of Pole: 3 poles; 4 poles (poles + on and off neutral pole)
⑤	Rated current for fuse-link
⑥	Side operation, no note for front operation.
⑦	Operation outside board, standard extended shaft 330mm. Mark after J with special requirements, no note for internal operation.
⑧	Auxiliary contact
⑨	Connection at back. Connection in front of board is not marked.
⑩	Form: I modular (160A-400A) II Integrated (400A-630A)

Note: F NC or NO auxiliary contact.

S NC + NO S type auxiliary contact.

U-U type auxiliary contact.

#### Fuse-Link Specification

Rated current for fuse group of isolation switch(A)	Rated current for fuse-link(A)	Fuse-link model
63	10, 20, 30, 40, 50, 63	00C
160	63, 80, 100, 125, 160	00
250	160	0
	200, 250	1
400	300, 315, 400	2
630	400, 500, 630	3

## WRDGLR Series

### WRDGLR-63A -630A/I Type Fuse Group of Isolation Switch

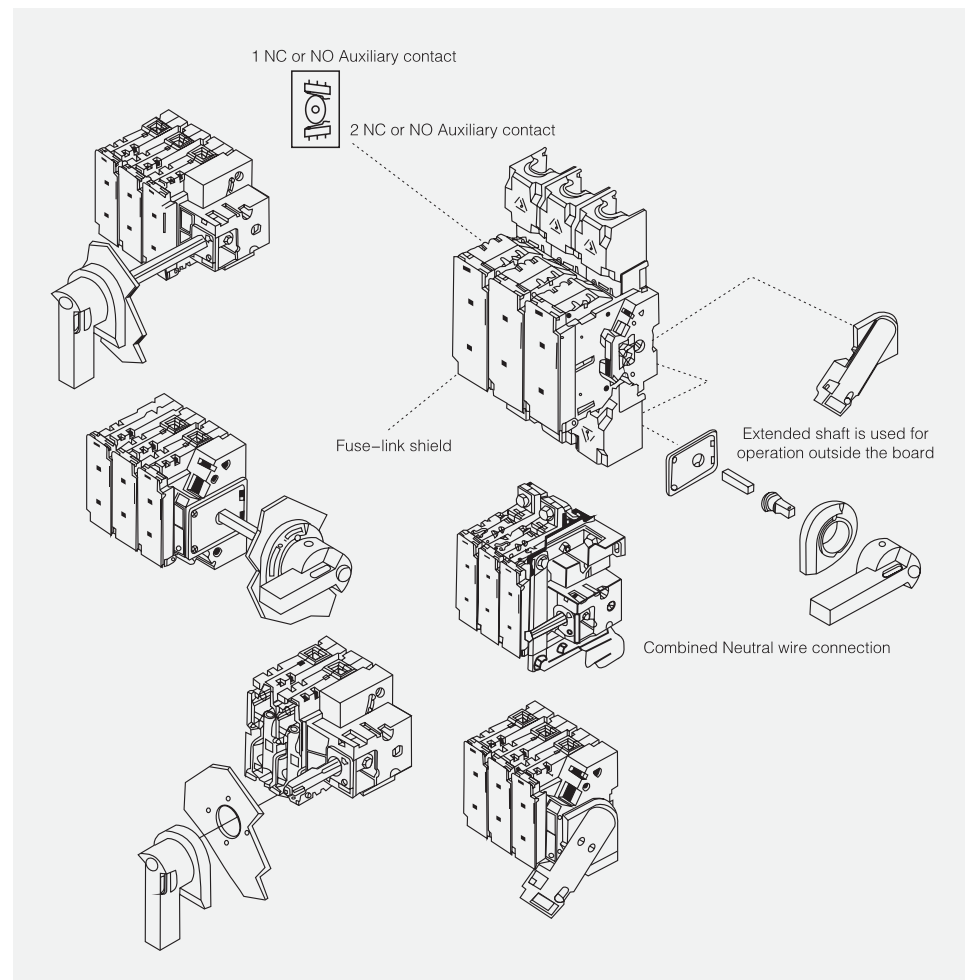


WRDGLR-63A type is of modular design structure.

Ensure load making and breaking and reliable over current and short circuit protection. Obviously visible off state. It have 2 poles, 3 poles and 4 poles (3 poles and on and off neutral pole). Total 18 specifications from 63A-630A.

### WRDGLR Structure and Operation Modes

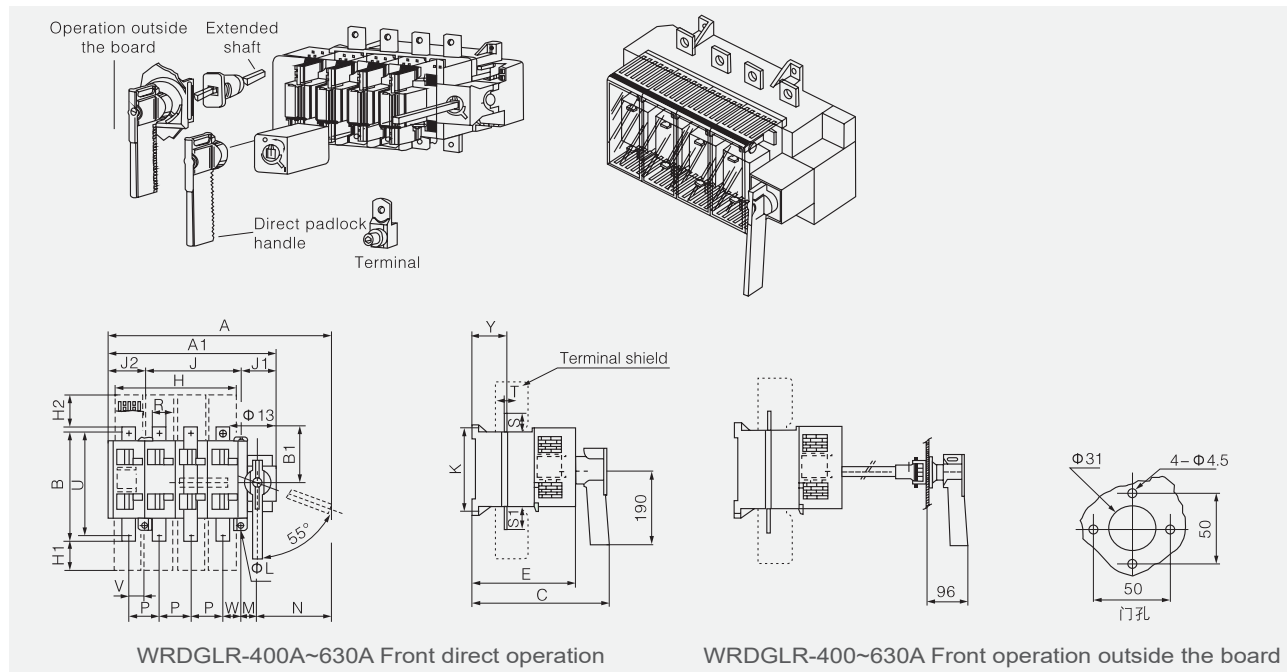
- Front direct operation: The handle is installed in the front of switch.
- Side direct operation: The handle is installed on the right side of switch.
- Front operation outside the board: The handle is installed in the front of distribution board door.
- Side operation outside the board: The handle is installed on the right side of the distribution board.



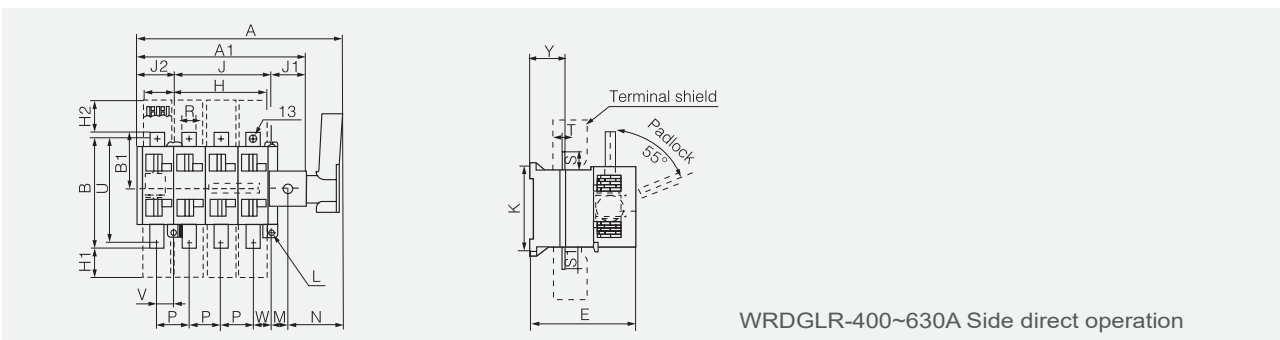


# WRDGLR Series

## WRDGLR-400-630A/I Overall And Mounting Size Of Fuse Group Of Isolation Switch



Specification	Fuse-link model	Ref.No.	Overall and mounting dimensions																								
			A	A1	B	B1	C	E	H	H1	H2	J	J2	J1	K	M	N	P	R	S	S1	T	V	U	W	ΦL	Y
WRDGLR-400-630A																											
400A/3	2	W605264	414	285	238	115	307	221	190	71	79	210	70	65	180	32.5	162	65	32	35	43	5	40.5	208	39.5	7	69
400A/4	2	W605265	474	345	238	115	307	221	255	71	79	210	70	65	180	32.5	162	65	32	35	43	5	24.5	208	39.5	7	69
630A/3	3	W605266	470	345	300	150	348	268	235	85	85	250	100	76	250	38.5	162	80	50	50	50	7	45.5	260	44.5	9	72
630A/4	3	W605267	550	425	300	150	348	268	315	85	85	250	100	76	250	38.5	162	80	50	50	50	7	34.5	260	44.5	9	72



Specification	Fuse-link model	Ref.No.	Overall and mounting dimensions																								
			A	A1	B	B1	E	H	H1	H2	J	J2	J1	K	M	N	P	R	S	S1	T	V	U	W	ΦL	Y	
WRDGLR-400-630A																											
400A/3	2	W605268	500	285	238	115	221	190	71	79	210	70	65	180	32.5	119	65	32	30	43	5	40.5	208	39.5	7	69	
400A/4	2	W605269	560	345	238	115	221	255	71	79	210	70	65	180	32.5	119	65	32	30	43	5	24.5	208	39.5	7	69	
630A/3	3	W605270	550	345	300	150	268	235	85	85	250	100	76	250	38.5	119	80	50	50	50	7	45.5	260	44.5	9	72	
630A/4	3	W605271	630	425	300	150	268	315	85	85	250	100	76	250	38.5	119	80	50	50	50	7	34.5	260	44.5	9	72	