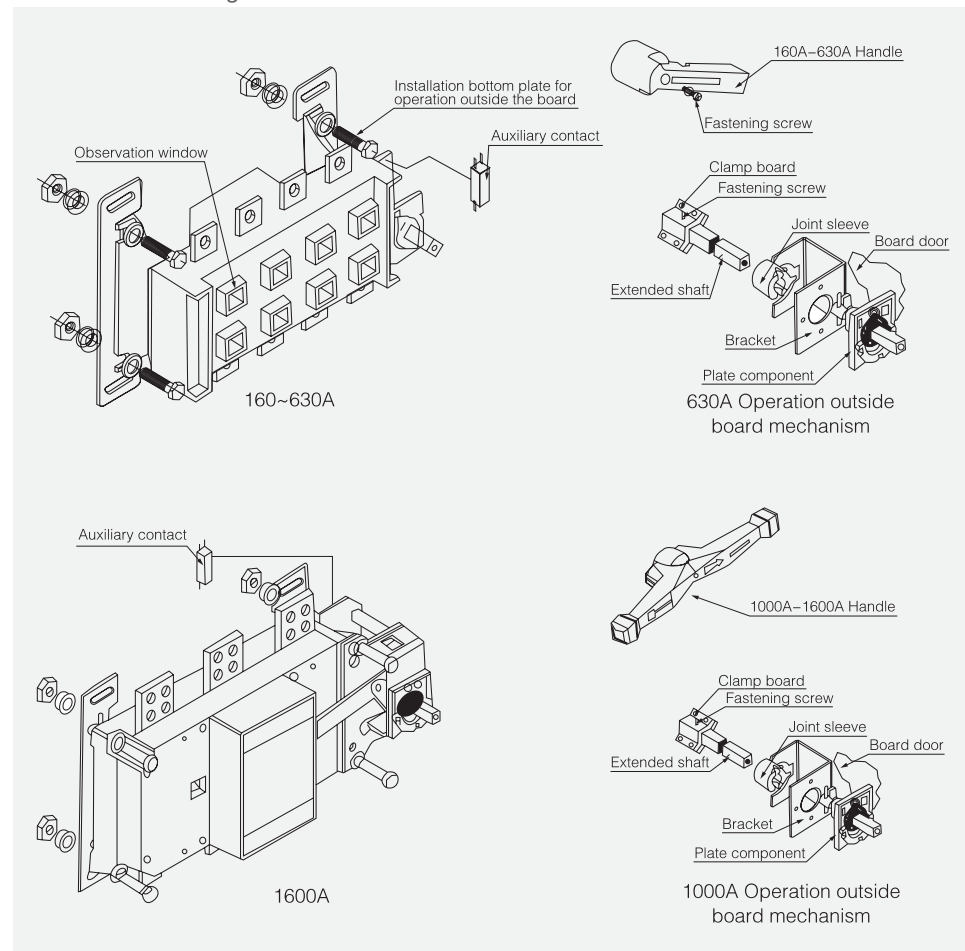


WRDGLC Series (Side Operation)

WRDGLC-160A-1600A Side Operation Load Isolating Switch

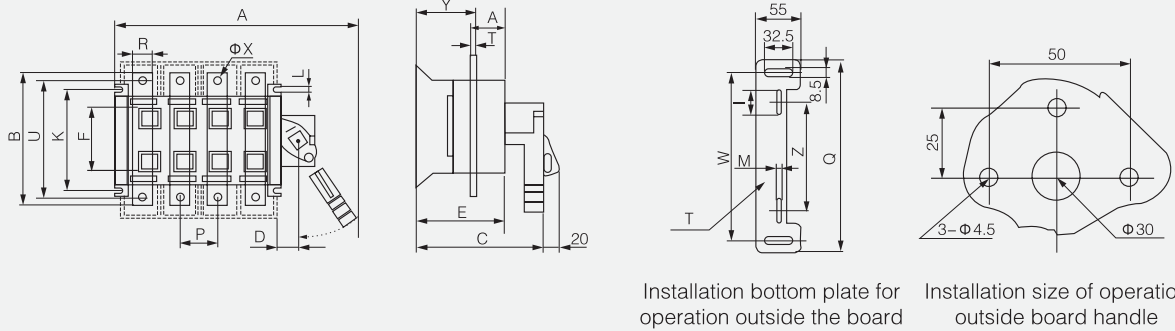


- WRDGLC-160A-1600A is applied for the circuit making and breaking or electric insulation. It has three poles and four poles (three poles + on and off neutral pole), and switches over 1000A are only suitable for electric isolation.
- The product with observation window can be provided according to the demand to observe directly the on and off state of contact.
- Mode of operation:
 Direct operation: handle is installed on the right side of switch
 Operation outside: handle is installed outside the door of power distribution board.
- Two groups of auxiliary contacts can be assembled.
- Extended shaft is used for the operation outside the board.
- Mechanical performance and electrical performance correspond to WRDGL-160A-1600A property
- The cable insulating cover can be assembled.



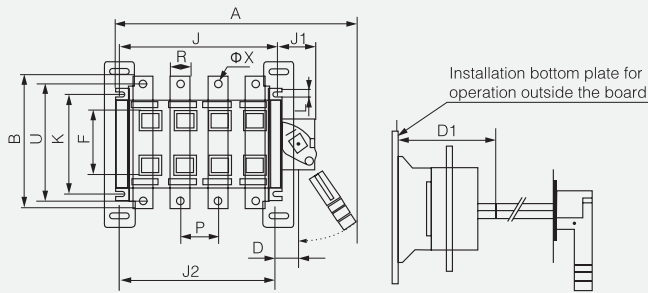
WRDGLC Series (Side Operation)

WRDGLC-160A-630A Overall And Mounting Dimensions Of Side Operation Load Isolation Switch



Installation bottom plate for operation outside the board

Installation size of operation outside board handle



Specification	Dimension of bottom plate					
	I	M	Z	W	Q	T
125-630A						
125A	55	6.5	110	216	244	3
160A	55	6.5	110	216	244	3
200A	55	6.5	110	216	244	3
250A	55	6.5	110	216	244	3
315A	60	8.5	170	280	311	4
400A	60	8.5	170	280	311	4
500A	60	8.5	170	280	311	4
630A	60	8.5	170	280	311	4

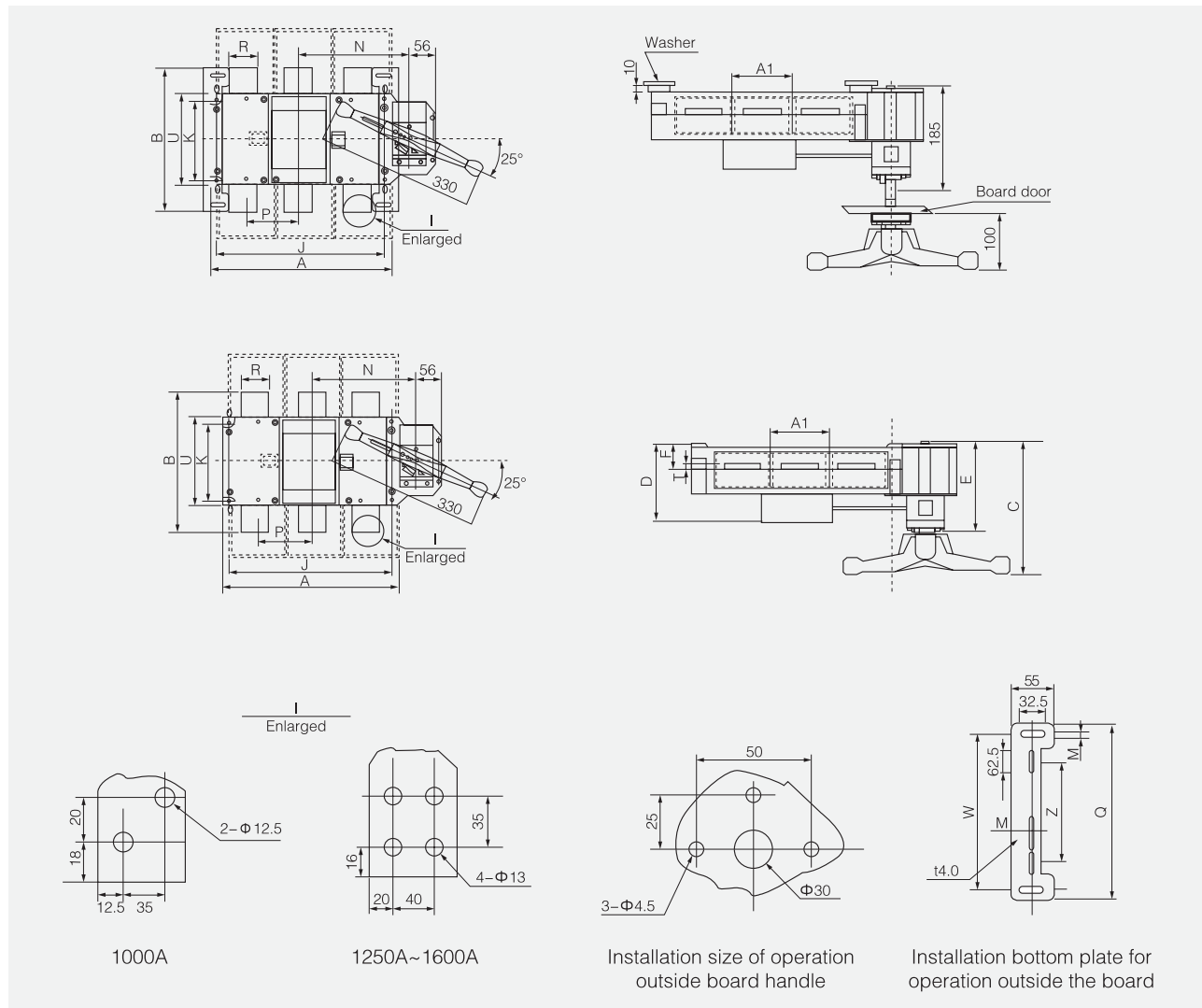
Specification	Ref.No.	Overall and mounting dimensions																		
		A	A1	B	C	D	D1	E	J	J1	J2	K	P	R	T	U	ΦX	Y	L	F
125A/3	W605199	267	50	135	146	29	123	88	120	65	120	95	36	20	3.5	85	9	55	7	52
125A/4	W605200	297	50	135	146	29	123	88	150	65	150	95	36	20	3.5	85	9	55	7	52
160A/3	W605201	267	50	135	146	29	123	88	120	65	120	95	36	20	3.5	85	9	55	7	52
160A/4	W605202	297	50	135	146	29	123	88	150	65	150	95	36	20	3.5	85	9	55	7	52
200A/3	W605203	300	60	170	154	30	133	98	160	65	160	116	50	25	3.5	110	11	64	9	79
200A/4	W605204	350	60	170	154	30	133	98	210	65	210	116	50	25	3.5	110	11	64	9	79
250A/3	W605205	300	60	170	154	30	133	98	160	65	160	116	50	25	3.5	110	11	64	9	79
250A/4	W605206	350	60	170	154	30	133	98	210	65	210	116	50	25	3.5	110	11	64	9	79
315A/3	W605207	400	85	240	199	45	162	127	210	77	210	180	65	30	5	160	11	83	11	100
315A/4	W605208	460	85	240	199	45	162	127	270	77	270	180	65	30	5	160	11	83	11	100
400A/3	W605209	400	85	240	199	45	162	127	210	77	210	180	65	30	5	160	11	83	11	100
400A/4	W605210	460	85	240	199	45	162	127	270	77	270	180	65	30	5	160	11	83	11	100
500A/3	W605211	400	85	260	199	45	162	127	210	77	210	180	65	40	5	160	12	83	11	100
500A/4	W605212	460	85	260	199	45	162	127	270	77	270	180	65	40	5	160	12	83	11	100
630A/3	W605213	400	85	260	199	45	162	127	210	77	210	180	65	40	5	160	12	83	11	100
630A/4	W605214	460	85	260	199	45	162	127	270	77	270	180	65	40	5	160	12	83	11	100

WRDGLC Series (Side Operation)

WRDGLC-1000A-1600A Overall and Mounting Dimensions Of Side Operation Load Isolation Switch

1

ISOLATION SWITCH



1000A

1250A~1600A

Installation size of operation outside board handle

Installation bottom plate for operation outside the board

Specification	Ref.No.	Overall and mounting dimensions																
		A	A1	B	D	E	F	J	K	M	N	P	Q	R	U	T	W	Z
1000A/3	W605216	378	105	312	140.5	163	353	357	175	8.5	226	120	311	60	200	8	280	224
1000A/4	W605217	492	105	312	140.5	163	467	467	175	8.5	286	120	311	60	200	8	280	224
1250A/3	W605218	378	105	338	140.5	163	353	357	175	8.5	226	120	311	80	200	8	280	224
1250A/4	W605219	492	105	338	140.5	163	467	467	175	8.5	286	120	311	80	200	8	280	224
1600A/3	W605220	378	105	338	140.5	163	353	357	175	8.5	226	120	311	80	200	20	280	224
1600A/4	W605221	492	105	338	140.5	163	467	467	175	8.5	286	120	311	80	200	20	280	224