

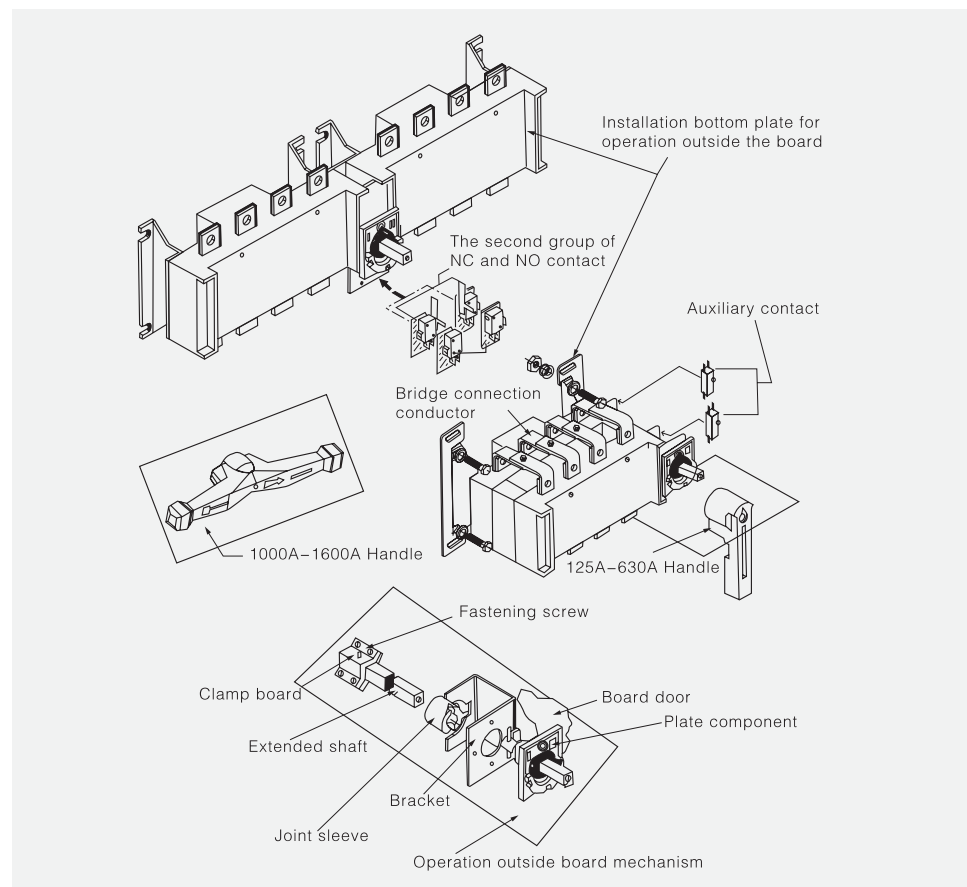
## WRDGLZ Series (Changeover)

### WRDGLZ-125 -3150A Changeover Load Isolation Switch



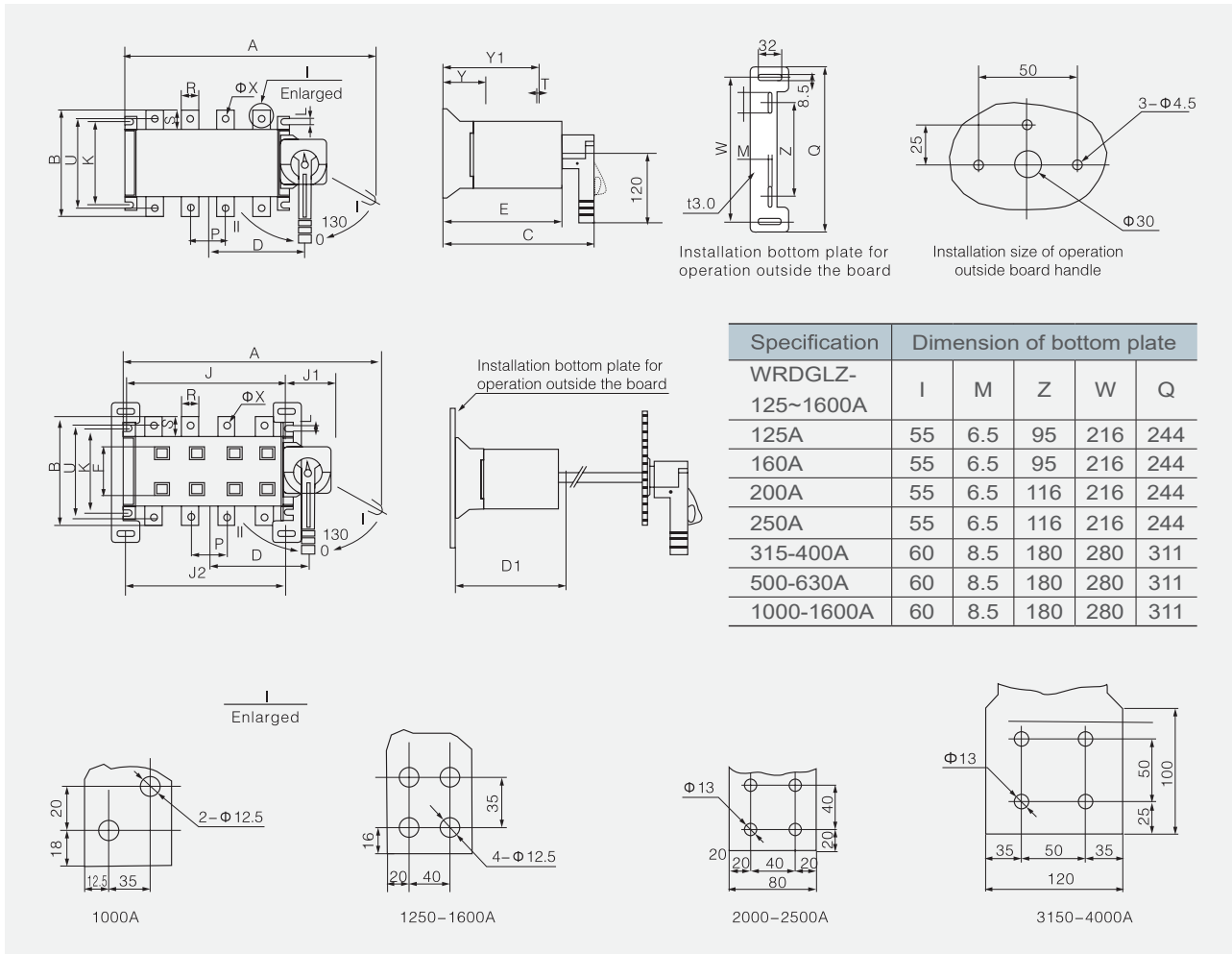
- WRDGLZ-125-3150A is applied to changeover two groups of low voltage electric circuit or two groups of load devices or safety isolation.
- Mode of operation:  
 Direct operation: handle is installed on the switch  
 Operation outside: handle is installed outside the door of power distribution board.
- The product with observation window can be provided according to the demand to observe directly the on and off state of contact.
- It has three poles and four poles (three poles + on and off neutral pole)
- Two groups of auxiliary contacts can be assembled.
- Extended shaft is used for the operation outside the board.
- Mechanical performance and electrical performance correspond to WRDGL-125A-3150A property.
- The bridge connecting conductor can be provided to connect the inlet or outlet terminals of the switch.

Note: The bridge connection is chosen, and it needs to indicate the inlet or outlet connection with it.



# WRDGLZ Series (Changeover)

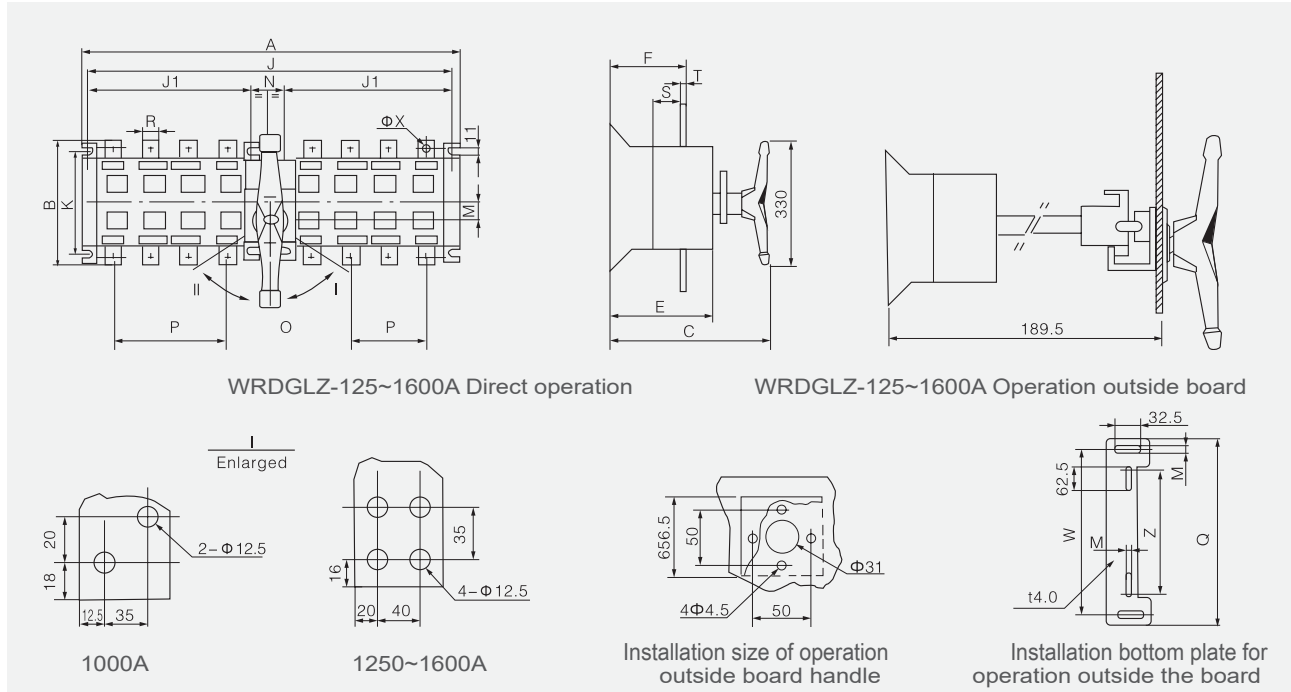
## WRDGL Z-125-1600A Overall And Mounting Size Of Changeover Load Isolation Switch



Specification	Overall and mounting dimensions																			
	A	B	C	D	D1	E	J	J1	J2	K	L	P	R	S	T	U	ΦX	Y	Y1	F
125A-160A/3	270	135	212	89	195	150	120	65	120	95	7	36	20	25	3.5	115	9	55	121	59
125A-160A/4	300	135	212	104	195	150	150	65	150	95	7	36	20	25	3.5	115	9	55	121	59
200A-250A/3	307	170	260	110	215	172	160	65	160	115	11	50	25	30	3.5	140	11	70	140	76
200A-250A/4	357	170	260	135	215	172	210	65	210	115	11	50	25	30	3.5	140	11	70	140	76
315A-400A/3	372	240	297	150	275	236	210	77	210	180	13	65	32	40	5	206	11	83	192	94
315A-400A/4	432	240	297	180	275	236	275	77	275	180	13	65	32	40	5	206	11	83	192	94
500A-630A/3	372	240	297	150	275	236	210	77	210	180	13	65	32	40	6	206	11	83	192	94
500A-630A/4	432	240	297	180	275	236	275	77	275	180	13	65	32	40	6	206	11	83	192	94

# WRDGLZ Series (Changeover)

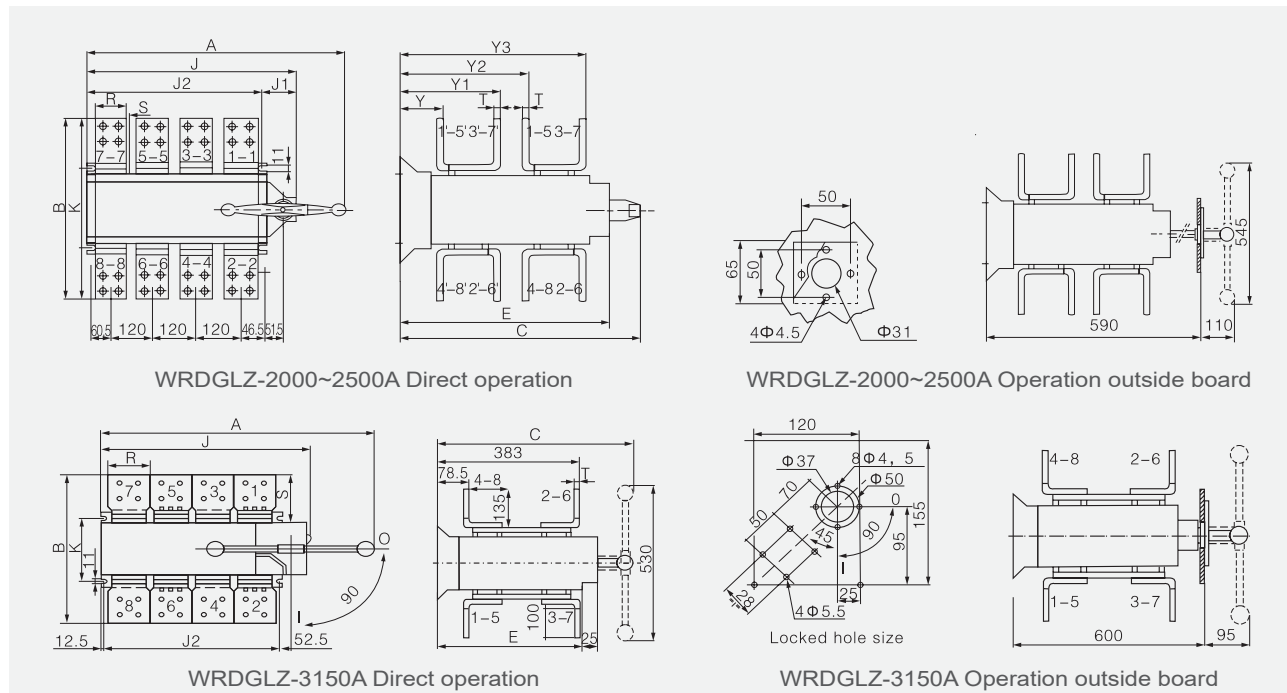
## WRDGLZ-125-1600A Overall And Mounting Size Of Changeover Load Isolation Switch



Specification		Overall and mounting dimensions																
Model	Code	A	B	C	E	F	J	J1	K	M	N	P	Q	R	S	T	W	Z
WRDGLZ125~1600A																		
125-160A/3	W605222	319	85	141	89	24	299	120	65	6.5	59	36	244	20	25	3.5	216	95
125-160A/4	W605223	379	85	141	89	24	359	150	65	6.5	59	36	244	20	25	3.5	216	95
200-250A/3	W605224	405	110	146	101	25	385	160	90	6.5	65	50	244	25	30	3.5	216	116
200-250A/4	W605225	505	110	146	101	25	485	210	90	6.5	65	50	244	25	30	3.5	216	116
315-400A/3	W605226	535	160	191	126	37	515	210	140	8.5	95	65	311	32	40	5	280	180
315-400A/4	W605227	655	160	191	126	37	515	210	140	8.5	95	65	311	32	40	5	280	180
500-630A/3	W605228	535	160	191	126	37.5	515	210	140	8.5	95	65	311	40	50	6	280	180
500-630A/4	W605229	655	160	191	126	37.5	515	210	140	8.5	95	65	311	40	50	6	280	180
1000A/3	W605230	863	200	272	163	48.5	811	355	220	8.5	105	120	311	60	56	8	280	180
1000A/4	W605231	1072	200	272	163	48.5	1051	473	220	8.5	105	120	311	60	56	8	280	180
1250A/3	W605232	836	200	272	163	48.5	811	355	220	8.5	105	120	311	80	69	8	280	180
1250A/4	W605233	1072	200	272	163	48.5	1051	473	220	8.5	105	120	311	80	69	8	280	180
1600A/3	W605234	836	200	272	163	49.5	811	355	220	8.5	105	120	311	80	69	10	280	180
1600A/4	W605235	1072	200	272	163	49.5	1051	473	220	8.5	105	120	311	80	69	10	280	180

# WRDGLZ Series (Changeover)

## WRDGLZ-2000-3150A Overall And Mounting Size Of Changeover Load Isolation Switch



Specification	Overall and mounting dimensions																			
	A	B	C	D	D1	E	J	J1	J2	K	P	R	S	T	ΦX	Y	Y1	Y2	Y3	
WRDLZ-1000-3150A																				
1000A/3 W605236	638	312	374	229	340	302	355	108.5	355	220	120	60	56	8	12.5	99	243.5			
1000A/4 W605237	758	312	374	289	340	302	473	108.5	473	220	120	60	56	8	12.5	99	243.5			
1250A/3 W605238	638	338	374	229	340	302	355	108.5	355	220	120	80	69	8	12.5	99	243.5			
1250A/4 W605239	758	338	374	289	340	302	473	108.5	473	220	120	80	69	8	12.5	99	243.5			
1600A/3 W605240	638	338	374	229	340	302	355	108.5	355	220	120	80	69	10	12.5	99.5	244			
1600A/4 W605241	758	338	374	289	340	302	473	108.5	473	220	120	80	69	10	12.5	99.5	244			
2000A/3 W605242	576	455	603	603	700	495	347	88	355	220	120	80	127.5	10	12.5	78.5	225.5	309.5	456.5	
2000A/4 W605243	696	455	603	603	700	495	467	88	473	220	120	80	127.5	10	12.5	78.5	225.5	309.5	456.5	
2500A/3 W605244	576	455	603	603	700	495	347	88	355	220	120	80	127.5	10	12.5	78.5	227.5	309.5	456.5	
2500A/4 W605245	696	455	603	603	700	495	467	88	473	220	120	80	127.5	10	12.5	78.5	227.5	309.5	456.5	
3150A/3 W605246	576	505	603	603	700	495	347	88	355	220	120	120	152.5	12	12.5	78.5	227.5	309.5	458	
3150A/4 W605247	696	505	603	603	700	495	467	88	473	220	120	120	152.5	12	12.5	78.5	227.5	309.5	458	